



ASSOCIATION CONNECTING
ELECTRONICS INDUSTRIES®

IPC-SMEMA-9851

Mechanical Equipment Interface Standard

IPC-SMEMA-9851

February 2007

A standard developed by IPC

Supersedes SMEMA 1.2

3000 Lakeside Drive, Suite 309S, Bannockburn, IL 60015-1249
Tel. 847.615.7100 Fax 847.615.7105
www.ipc.org

The Principles of Standardization

In May 1995 the IPC's Technical Activities Executive Committee (TAEC) adopted Principles of Standardization as a guiding principle of IPC's standardization efforts.

Standards Should:

- Show relationship to Design for Manufacturability (DFM) and Design for the Environment (DFE)
- Minimize time to market
- Contain simple (simplified) language
- Just include spec information
- Focus on end product performance
- Include a feedback system on use and problems for future improvement

Standards Should Not:

- Inhibit innovation
- Increase time-to-market
- Keep people out
- Increase cycle time
- Tell you how to make something
- Contain anything that cannot be defended with data

Notice

IPC Standards and Publications are designed to serve the public interest through eliminating misunderstandings between manufacturers and purchasers, facilitating interchangeability and improvement of products, and assisting the purchaser in selecting and obtaining with minimum delay the proper product for his particular need. Existence of such Standards and Publications shall not in any respect preclude any member or nonmember of IPC from manufacturing or selling products not conforming to such Standards and Publication, nor shall the existence of such Standards and Publications preclude their voluntary use by those other than IPC members, whether the standard is to be used either domestically or internationally.

Recommended Standards and Publications are adopted by IPC without regard to whether their adoption may involve patents on articles, materials, or processes. By such action, IPC does not assume any liability to any patent owner, nor do they assume any obligation whatever to parties adopting the Recommended Standard or Publication. Users are also wholly responsible for protecting themselves against all claims of liabilities for patent infringement.

IPC Position Statement on Specification Revision Change

It is the position of IPC's Technical Activities Executive Committee that the use and implementation of IPC publications is voluntary and is part of a relationship entered into by customer and supplier. When an IPC publication is updated and a new revision is published, it is the opinion of the TAEC that the use of the new revision as part of an existing relationship is not automatic unless required by the contract. The TAEC recommends the use of the latest revision. Adopted October 6, 1998

Why is there a charge for this document?

Your purchase of this document contributes to the ongoing development of new and updated industry standards and publications. Standards allow manufacturers, customers, and suppliers to understand one another better. Standards allow manufacturers greater efficiencies when they can set up their processes to meet industry standards, allowing them to offer their customers lower costs.

IPC spends hundreds of thousands of dollars annually to support IPC's volunteers in the standards and publications development process. There are many rounds of drafts sent out for review and the committees spend hundreds of hours in review and development. IPC's staff attends and participates in committee activities, typesets and circulates document drafts, and follows all necessary procedures to qualify for ANSI approval.

IPC's membership dues have been kept low to allow as many companies as possible to participate. Therefore, the standards and publications revenue is necessary to complement dues revenue. The price schedule offers a 50% discount to IPC members. If your company buys IPC standards and publications, why not take advantage of this and the many other benefits of IPC membership as well? For more information on membership in IPC, please visit www.ipc.org or call 847/597-2872.

Thank you for your continued support.



ASSOCIATION CONNECTING
ELECTRONICS INDUSTRIES®

IPC-SMEMA-9851

Mechanical Equipment Interface Standard

Developed by the Assembly Equipment Mechanical Interface
Subcommittee (5-42) of IPC

Supersedes:
IPC-SMEMA 1.2

Users of this publication are encouraged to participate in the
development of future revisions.

Contact:

IPC
3000 Lakeside Drive, Suite 309S
Bannockburn, Illinois
60015-1249
Tel 847 615.7100
Fax 847 615.7105

This Page Intentionally Left Blank

Acknowledgment

Any Standard involving a complex technology draws material from a vast number of sources. While the principal members of the Assembly Equipment Mechanical Interface Subcommittee (5-42) are shown below, it is not possible to include all of those who assisted in the evolution of this standard. To each of them, the members of the IPC extend their gratitude.

Assembly Equipment Mechanical Interface Subcommittee

Chair

Tom Isaacs
IPTE LLC

Technical Liaisons of the IPC Board of Directors

Peter Bigelow
IMI Inc.

Sammy Yi
Flextronics International

Assembly Equipment Mechanical Interface Subcommittee

Matt Brown,
Bruce Nemcek, Applied Conveyor
Engineering
Bill Linss, CVD Equipment Corp.
Richard Graves, Delphi Electronics
and Safety
Jim Struck, Dynapace Corporation
Scott E. Wischoffer, Fuji America
Corporation
Eduardo Ramos, GE Security

Tom Isaacs, IPTE LLC
Joe Kane, Kanetic, Inc.
Randy Barnes, Kanetic, Inc.
Thomas Baggio, Panasonic Factory
Solutions Company
Stan Kench, Prodev, Inc.
Hiroaki Kobayashi, Seika Machinery
Corporation
Thomas W. Foley, Siemens Energy &
Automation, Inc.,

Kail Wathne, Sikama International,
Inc.
Jim Moran, Simplimatic Automation
Eric Aldrich, Teradyne
Brad Bennett, Universal Instruments
Corporation
Adam Brown, Universal Instruments
Corporation

Mechanical Equipment Interface Standard

1 EQUIPMENT INTERFACE

1.1 Introduction The SMEMA machine interface standards were developed to facilitate the interface of equipment used in the manufacture of surface-mounted printed circuit boards. This standard is for mechanical and electrical interfaces.

1.2 Purpose The purpose of this standard is to provide an equipment interface specification for board transfer manufacturing systems of surface-mounted printed circuit boards. This specification provides the minimum requirement that conveyor-to-conveyor equipment **shall** meet, and does not represent a complete specification for the equipment's interface. Conformance to the standard may be achieved by the appropriate design of the equipment or by providing special adapters that enable the equipment to meet the standard.

1.3 Interpretation "Shall," the emphatic form of the verb, is used throughout this specification whenever a requirement is intended to express a provision that is binding. The words "should" and "may" are used whenever it is necessary to express nonmandatory provisions. "Will" is used to express a declaration of purpose. To assist the reader, the word **shall** is presented in bold characters.

2 SINGLE LANE MECHANICAL INTERFACE REQUIREMENTS

The mechanical specifications that follow are for single board transfer systems with conveyor transports. These

systems can be assembled next to each other without any interface hardware. The printed circuit board is assumed to move from left to right in the diagrams that follow; however, the same standard applies for systems when the board moves from right to left. An equipment manufacturer **shall** clearly state the direction of board movement.

2.1 Conveyor Height Each machine **shall** have the transport conveyor height adjustable from 940 to 965 mm [37 to 38 in] from the floor to the bottom of the PC board.

2.2 Fixed Rail For the purposes of this standard, the front rail is defined as the fixed rail.

2.3 Conveyor Width For equipment with an adjustable conveyor width, the front rail is fixed and the rear rail is adjustable. The range of adjustment will vary with the equipment manufacturer.

2.4 Edge Clearance The conveyor should require no more than 5 mm [0.197 in] of clear board space at the side edges.

2.5 Tooling Pins Tooling pins, if used, should be on the front edge of the board (next to the fixed transport rail). A recommended hole diameter is 4 mm [0.16 in]. Distance from the edge should be 7.6 mm [0.299 in].

2.6 Maximum Gap The maximum unsupported gap as defined by G in Figure 2-1 is 19 mm [0.748 in].

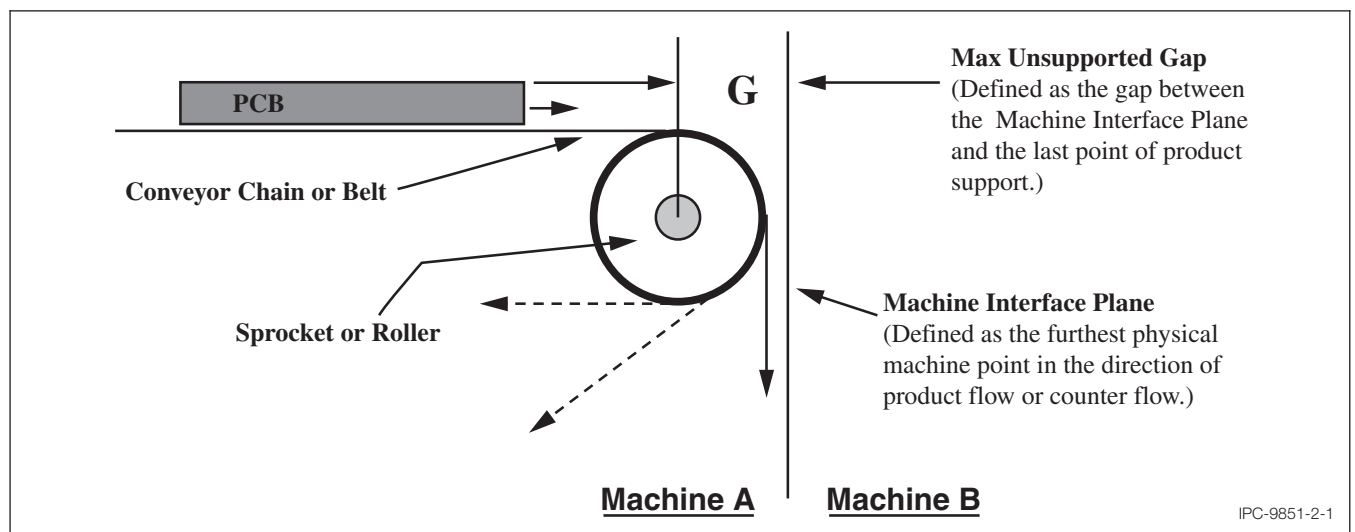


Figure 2-1 Maximum Gap

IPC-9851-2-1

2.7 Lead-in The minimum lead-in on the track ends of the conveyor is 3 mm [0.118 in] and the angle **shall not** be greater than 30° as shown in Figure 2-2.

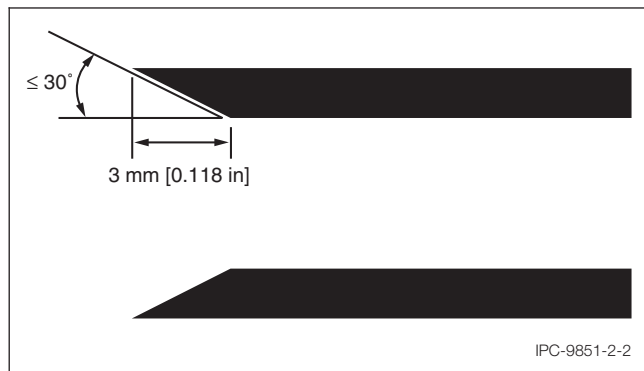


Figure 2-2 Lead-In

3 DUAL-LANE MECHANICAL INTERFACE REQUIREMENTS

The specifications that follow are for dual-lane transfer systems with conveyor transports. These systems can be assembled next to each other without any interface hardware. The printed circuit board is assumed to move from left to right in the diagrams; however, the same standard applies for systems when the board moves from right to left. An equipment manufacturer **shall** clearly state the direction of movement.

This standard provides for variations in dual-lane conveyor rail spacing configurations. The equipment documentation **shall** clearly state whether the conveyor rail spacing conforms to Configuration A, B or C, as defined in Table 3-1. For Configuration C, the conveyor rail spacing (rails 1 to 3) and minimum center lane spacing (rails 2 to 3) **shall** be specified on equipment documentation.

Rail 1 **shall** be fixed position, rails 2 and 4 **shall** be adjustable, and rail 3 may be fixed or adjustable. For the purposes of this standard, the rail closest to the front of the equipment is defined as fixed rail as shown in Figure 3-1 (1).

Table 3-1 Dual-Lane Configurations

Configuration Type	Conveyor Rail Spacing Rails 1 to 3 ¹	Minimum Center Lane Spacing Rails 2 to 3 ²
A	251 mm [9.88 in]	35 mm [1.38 in]
B	266 mm [10.47 in]	50 mm [1.97 in]
C	As defined in equipment manufacturer's documentation	

Note 1: Rail spacing is measured from transport edge to transport edge, see Figure 3-1 (7).

Note 2: See Figure 3-1 (8)

3.1 Conveyor Height Each machine **shall** have the transport conveyor height adjustable from 940 to 965 mm [37 to 38 in] from the floor to the bottom of the PC board.

3.2 Conveyor Width Each Lane Each conveyor **shall** be able to be independently adjusted for printed circuit boards as small as 50 mm [1.97 in] and at least as wide as 216 mm [8.5 in] wide boards (see Figure 3-1).

3.3 Asynchronous Control Asynchronous control of the two lanes **shall** be available. Asynchronous control is defined as the ability to move and control each conveyor independent from the other.

3.4 Edge Clearance The conveyors should require no more than 5 mm [0.197 in] of clear board space at the side edges.

3.5 Maximum Gap The maximum unsupported gap as defined by G in Figure 2-1 is 19 mm [0.748 in].

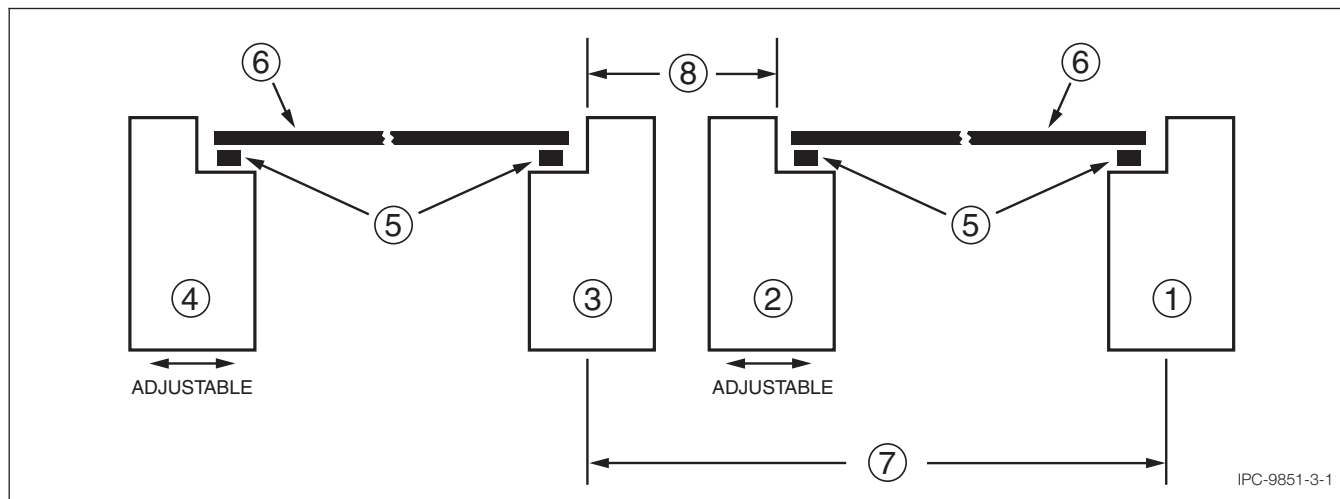


Figure 3-1 Dual Lane Conveyor

- 1. Rail 1, fixed in position
- 2. Rail 2, adjustable
- 3. Rail 3, may be fixed or adjustable
- 4. Rail 4, adjustable
- 5. Conveyor system
- 6. Circuit board/assembly
- 7. Rail 1 to Rail 3 spacing
- 8. Center lane spacing

3.6 Lead-in The minimum lead-in on the track ends of the conveyor is 3 mm [0.118 in] and the angle **shall not** be greater than 30° as shown in Figure 2-2.

3.7 Electrical Interface Each lane **shall** have independent transfer interface control. Each lane **shall** have independent connectors for input and output control (total of 4) (see 4 Electrical Interface Requirements).

4 ELECTRICAL INTERFACE REQUIREMENTS

A machine-to-machine electrical interface is required to insure proper sequencing of PC boards. The interface is used for “Local” control and **shall** operate independently of the cell controller.

These requirements are applicable to single and dual lane systems.

4.1 Inter-Machine Control To sequence boards properly from machine-to-machine, the “Board Available” and “Machine Ready” signal lines will be used and “Board Pass/Fail” signal line is optional.

4.2 Inter-Machine Connections See Figure 4-1 and Table 4-1.

4.2.1 Connectors All interface connectors on a machine **shall** be female. Figures 4-2 and 4-3 provide interface connector information.

4.2.2 Cable Each machine **shall** include the downstream/output signal cable and mating connectors. Wire color code needs to comply with established standards specific to the country of manufacture such as NFPA 79, EN60204-1 or as otherwise defined in the procurement documentation.

4.3 Interface Signal Logic The electrical interface signal sequence is shown in Figure 4-4, and may be obtained using an optical isolator or a relay. The minimum requirements are to switch 30 Vdc, 10 mA. At 10 mA, the output “LOW” **shall not** exceed 0.8 Vdc. The logic for normal board transfer is described in Tables 4-2 and 4-3 and is shown in Figure 4-4.

A similar timing diagram applies to boards passed under the Board Fail Option. In such cases, the “Board Available” signal described in Table 4-3 is REPLACED by the “Failed Board Available” signal. The “Board Available” signal **shall** be off (contacts open) during transfers of failed boards as shown in the logic diagram in Figure 4-5.

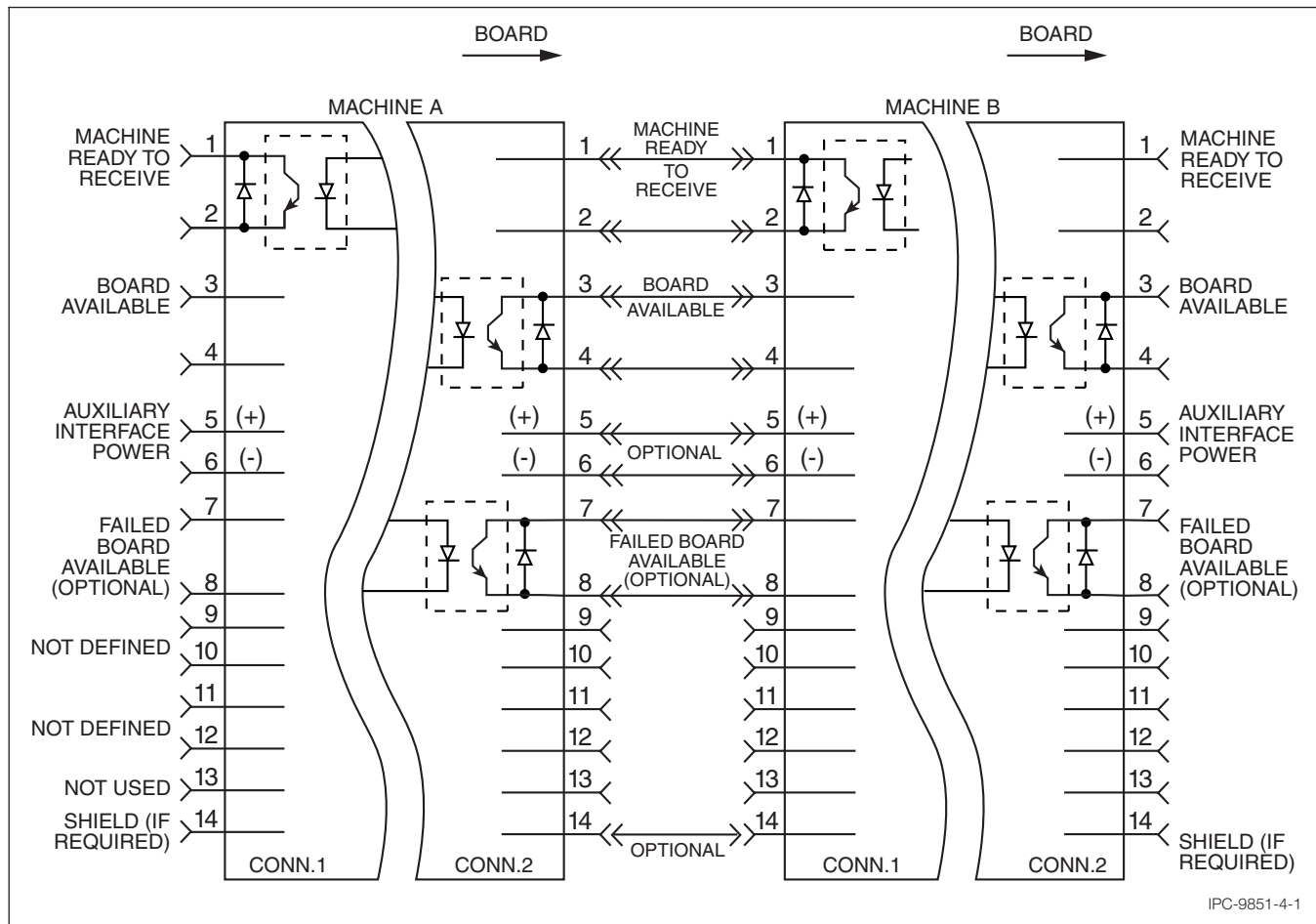


Figure 4-1 Electrical Interface Schematic

Table 4-1 Electrical Interface Connector/Cable Functional Description

Connector/Cable	Function	Condition	Description
Pair 1-2 (Note 1)	Machine Ready to Receive	Contacts Closed (Notes 2,3)	Machine is ready to receive next board.
Pair 3-4 (Note 1)	Board Available	Contacts Closed (Notes 2,3)	Machine has a good board ready to send. All boards are considered to be "good" if the Board Fail option is not being used.
Pair 5-6	Auxiliary Interface Power (optional)		Available; user to document purpose and operating parameters.
Pair 7-8 (Note 1)	Failed Board Available (Optional)	Contacts Closed (Notes 2,3)	Default (no connection or, if used, contacts are open) is that the incoming board is good and suitable for use. Optional use is to provide closed contacts when it has been determined that the board should stop transfer or be diverted. In such cases, these contacts shall be closed in lieu of (and not in addition to) the normal Good Board Available contacts.
Pair 9-10	Not defined		Available; user to document purpose and operating parameters.
Pair 11-12	Not defined		Available; user to document purpose and operating parameters.
13	Not used	Not used	Not used.
14	Cable shield (Optional)		Cable shield attachment if required; follow good engineering practices (connect at only one end).

Note 1: Minimum requirements are to switch 30 Vdc, 10 mA.

Note 2: At 10 mA, the output "LOW" or contact closure **shall not** exceed 0.8 Vdc.

Note 3: Assure proper polarity if using optional optical isolator.

Note 4: Existing equipment not built to this standard may require modified pin-out on the connector and/or the interface cable.

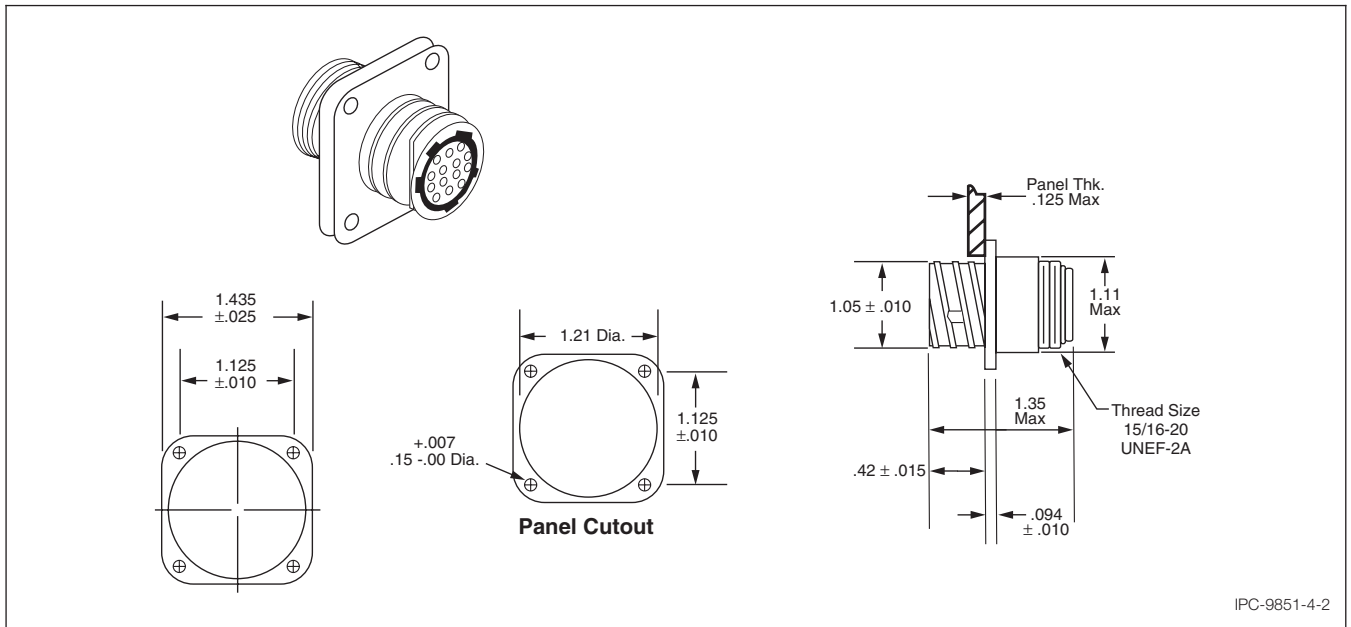


Figure 4-2 Square Flange Receptable, Accepts Multimate Sockets

Note 1: These are manufacturers drawings and do not reflect metric dimensions.

Note 2: All connectors shown are manufactured by AMP®. The following are AMP part numbers.

- 14 position, square flange, receptacle; P/N 206043-1
- Cable Clamp; P/N 206070-1
- Socket; P/N 66594-1

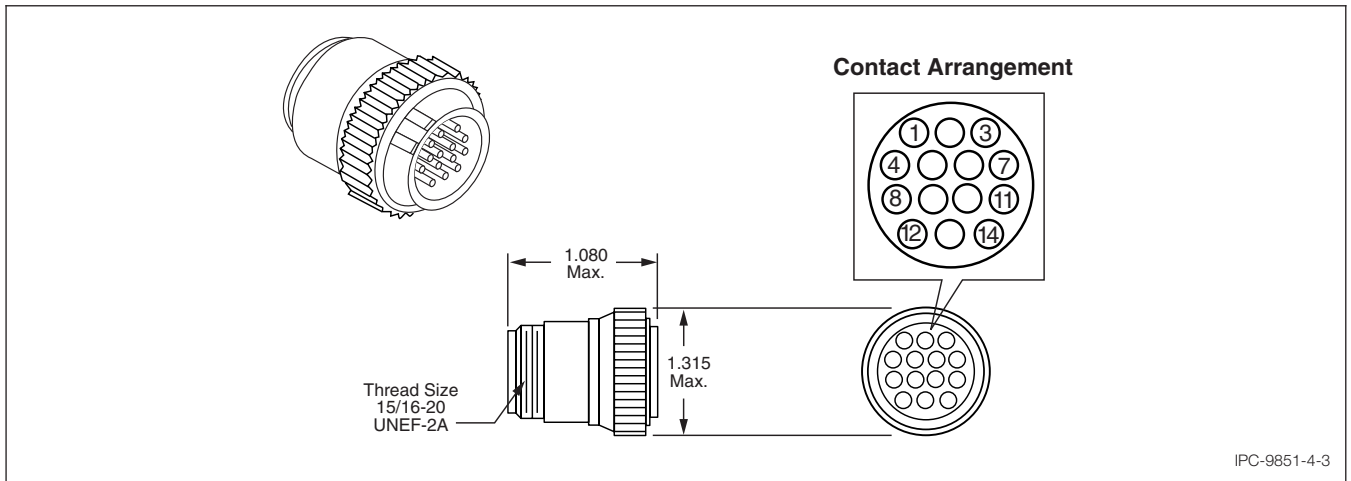


Figure 4-3 Cable Connector¹

Note 1. All connectors shown are manufactured by AMP®. The following are AMP part numbers.

- 14 position, plug; P/N 206044-1
- Cable Clamp; P/N 206070-1
- Pin; P/N 66593-1

Table 4-2 Signal Logic

Board transfer occurs when Machine A has a BOARD AVAILABLE (contact closed), and Machine B is MACHINE READY TO RECEIVE (contact closed).
The signals can occur at any time, but board transfer does not occur until both contacts are closed.
The BOARD AVAILABLE signal from Machine A will remain closed until the board has left Machine A.
The MACHINE READY TO RECEIVE signal will remain closed until Machine B has positive control of the board.
Board transfer cannot occur again until each signal opens for at least 50 ms.
Optional: Once both Machine A and Machine B signals are closed, and the board has neither left A nor arrived at B, an error message will be generated (to be defined by users).

Table 4-3 Timing

Time	Action/Condition
T_0	Up-line board not available ; down-line machine not ready to receive .
T_1	Up-line machine has a board available to send ; down-line machine not ready to receive .
T_2	Up-line machine has a board available to send ; down-line machine ready to receive, transfer starts .
T_3 (variable)	Board has completely left control of up-line machine; still moving into down-line machine.
T_4	Transfer complete; down-line machine is completely in control of board. Board not available, down-line machine not ready to receive .
T_5	Up-line board not available , down-line machine ready to receive .
T_6	Up-line machine has a board available to send , down-line machine ready to receive, transfer starts .
T_7 (variable)	Board has completely left control of up-line machine; still moving into down-line machine.
T_8	Transfer complete; down-line machine is completely in control of board. Board not available, down-line machine not ready to receive .
T_9	Up-line board not available , down-line machine ready to receive .
T_{10}	Up-line machine has a board available to send , down-line ready to receive, transfer starts .

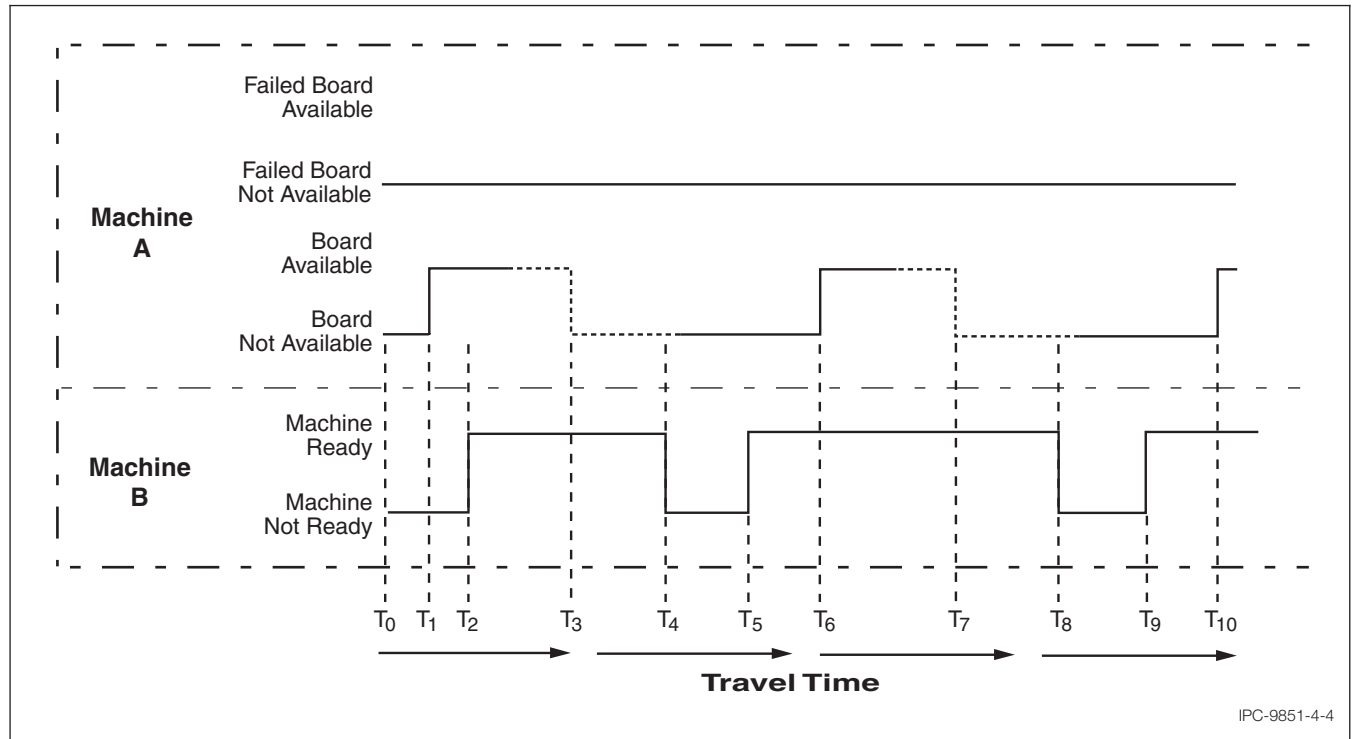


Figure 4-4 Timing Logic Diagram for Normal Transfer

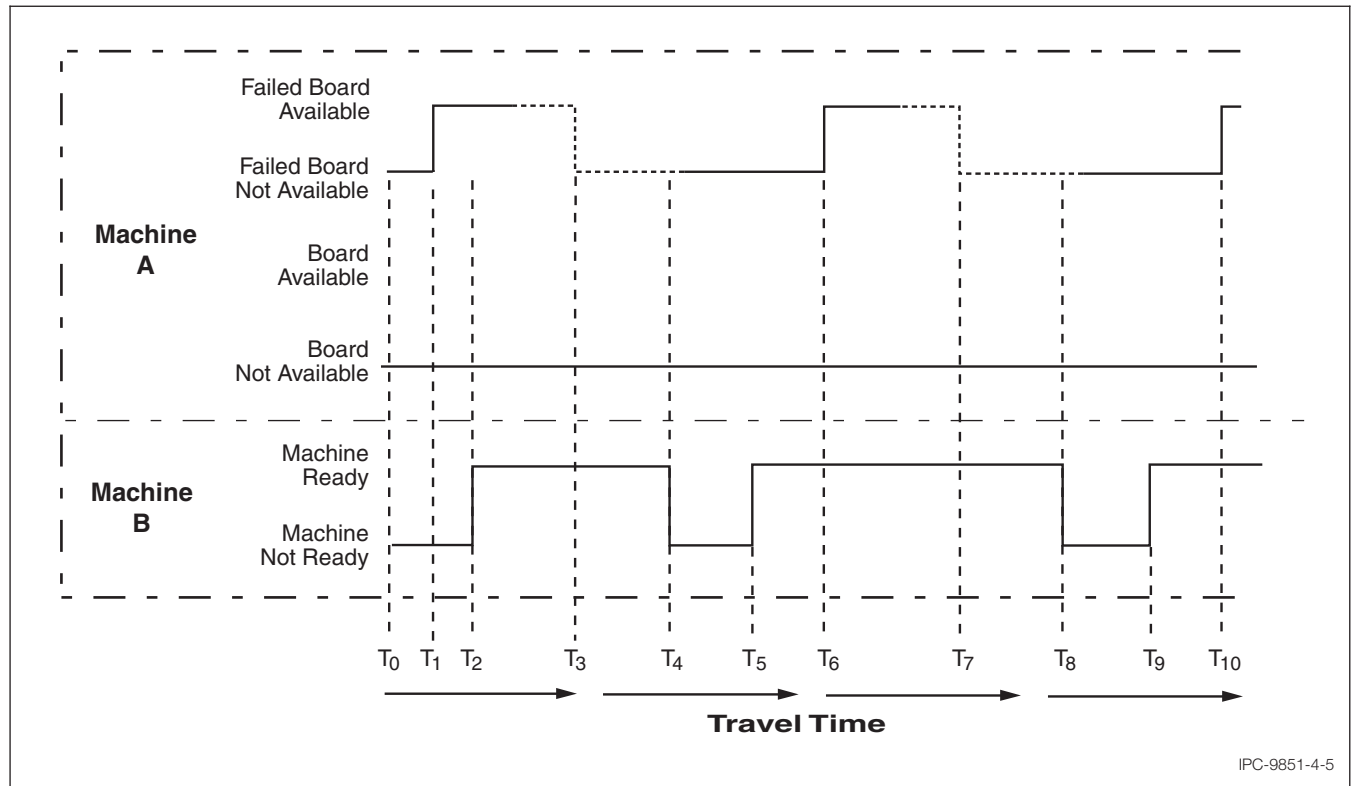


Figure 4-5 Timing Logic Diagram for Failed Board Option



ANSI/IPC-T-50 Terms and Definitions for Interconnecting and Packaging Electronic Circuits

Definition Submission/Approval Sheet

The purpose of this form is to keep current with terms routinely used in the industry and their definitions. Individuals or companies are invited to comment. Please complete this form and return to:

IPC
 3000 Lakeside Drive, Suite 309S
 Bannockburn, IL 60015-1249
 Fax: 847 615.7105

SUBMITTOR INFORMATION:

Name: _____
 Company: _____
 City: _____
 State/Zip: _____
 Telephone: _____
 Date: _____

- This is a **NEW** term and definition being submitted.
- This is an **ADDITION** to an existing term and definition(s).
- This is a **CHANGE** to an existing definition.

Term	Definition

If space not adequate, use reverse side or attach additional sheet(s).

Artwork: Not Applicable Required To be supplied

Included: Electronic File Name: _____

Document(s) to which this term applies: _____

Committees affected by this term: _____

Office Use	
IPC Office	Committee 2-30
Date Received: _____	Date of Initial Review: _____
Comments Collated: _____	Comment Resolution: _____
Returned for Action: _____	Committee Action: <input type="checkbox"/> Accepted <input type="checkbox"/> Rejected
Revision Inclusion: _____	<input type="checkbox"/> Accept Modify

IEC Classification
Classification Code • Serial Number
Terms and Definition Committee Final Approval Authorization: Committee 2-30 has approved the above term for release in the next revision.
Name: _____ Committee: <u>IPC 2-30</u> Date: _____

Technical Questions

The IPC staff will research your technical question and attempt to find an appropriate specification interpretation or technical response. Please send your technical query to the technical department via:

tel: 847-615-7100

fax: 847-615-7105

www.ipc.org

e-mail: answers@ipc.org

IPC World Wide Web Page www.ipc.org

Our home page provides access to information about upcoming events, publications and videos, membership, and industry activities and services. Visit soon and often.

IPC Technical Forums

IPC technical forums are opportunities to network on the Internet. It's the best way to get the help you need today! Over 2,500 people are already taking advantage of the excellent peer networking available through e-mail forums provided by IPC. Members use them to get timely, relevant answers to their technical questions. Contact KeachSasamori@ipc.org for details. Here are a few of the forums offered.

TechNet@ipc.org

TechNet forum is for discussion of issues related to printed circuit board design, assembly, manufacturing, comments or questions on IPC specifications, or other technical inquiries. IPC also uses TechNet to announce meetings, important technical issues, surveys, etc.

ComplianceNet@ipc.org

ComplianceNet forum covers environmental, safety and related regulations or issues.

DesignersCouncil@ipc.org

Designers Council forum covers information on upcoming IPC Designers Council activities as well as information, comments, and feedback on current designer issues, local chapter meetings, new chapters forming, job opportunities and certification. In addition, IPC can set up a mailing list for your individual Chapter so that your chapter can share information about upcoming meetings, events and issues related specifically to your chapter.

Trainingnews@ipc.org

This is an announcement forum where subscribers can receive notice of new IPC Training Products.

leadfree.ipc.org

This forum acts as a peer interaction resource for staying on top of lead elimination activities worldwide and within IPC.

IPC_New_Releases@ipc.org

This is an announcement forum where subscribers can receive notice of new IPC publications, updates and standards.

ADMINISTERING YOUR SUBSCRIPTION STATUS:

All commands (such as subscribe and signoff) must be sent to listserv@ipc.org. Please DO NOT send any command to the mail list address, (i.e. <mail list>@ipc.org), as it would be distributed to all the subscribers.

Example for subscribing:

To: LISTSERV@IPC.ORG

Subject:

Message: subscribe TechNet Joseph H. Smith

Example for signing off:

To: LISTSERV@IPC.ORG

Subject:

Message: signoff DesignerCouncil

Please note you must send messages to the mail list address ONLY from the e-mail address to which you want to apply changes. In other words, if you want to sign off the mail list, you must send the signoff command from the address that you want removed from the mail list. Many participants find it helpful to signoff a list when travelling or on vacation and to resubscribe when back in the office.

How to post to a forum:

To send a message to all the people currently subscribed to the list, just send to <mail list>@ipc.org. Please note, use the mail list address that you want to reach in place of the <mail list> string in the above instructions.

Example:

To: TechNet@IPC.ORG

Subject: <your subject>

Message: <your message>

The associated e-mail message text will be distributed to everyone on the list, including the sender. Further information on how to access previous messages sent to the forums will be provided upon subscribing.

For more information, contact Keach Sasamori

tel: 847-597-2815

fax: 847-615-5615

e-mail: sasako@ipc.org

www.ipc.org/emailforums

Education and Training

IPC conducts local educational workshops and national conferences to help you better understand conventional and emerging technologies. Members receive discounts on registration fees. Visit www.ipc.org to see what programs are coming to your area.

IPC Certification Programs

IPC provides world-class training and certification programs based on several widely-used IPC standards, including IPC-A-600, IPC-A-610, IPC/WHMA-A-620, J-STD-001 and IPC-7711A/7721A Rework and Repair. IPC-sponsored certification gives your company a competitive advantage and your workforce valuable recognition.

For more information on these programs:

tel: 847-597-2814 fax: 847-615-7105
e-mail: certification@ipc.org www.ipc.org/certification

Designer Certification (C.I.D.)/Advanced Designer Certification (C.I.D.+)

Contact:

tel: 847-597-2827 fax: 847-615-5627
e-mail: christipoulsen@ipc.org <http://dc.ipc.org>

EMS Program Manager Certification

Contact:

tel: 847-597-2884 fax: 847-615-5684
e-mail: susanfilz@ipc.org www.ipc.org/certification

IPC Video Tapes and CD-ROMs

IPC video tapes and CD-ROMs can increase your industry know-how and on the job effectiveness. Members receive discounts on purchases.

For more information on IPC Video/CD Training, contact Mark Pritchard

tel: 505/758-7937 ext. 202 fax: 505/758-7938
e-mail: markp@ipcvideo.org <http://training.ipc.org>

IPC Printed Circuits Expo, APEX and the Designers Summit



This yearly event is the largest electronics interconnection event in North America. With technical paper presentations, educational courses, standards development meetings networking opportunities and designers certification, there's something for everyone in the industry. The premier technical conference draws experts from around the globe. 500 exhibitors and 6,000 attendees typically participate each year. You'll see the latest in technologies, products and services and hear about the trends that affect us all. Go to www.GoIPCShows.org or contact shows@ipc.org for more information.

Exhibitor information:

Mary Mac Kinnon	Alicia Balonek
Director, Show Sales	Director, Trade Show Operations
847-597-2886	847-597-2898
MaryMacKinnon@ip.c.org	AliciaBalonek@ipc.org

How to Get Involved

The first step is to join IPC. An application for membership can be found in the back of this publication. Once you become a member, the opportunities to enhance your competitiveness are vast. Join a technical committee and learn from our industry's best while you help develop the standards for our industry. Participate in market research programs which forecast the future of our industry. Participate in Capitol Hill Day and lobby your Congressmen and Senators for better industry support. Pick from a wide variety of educational opportunities: workshops, tutorials, and conferences. More up-to-date details on IPC opportunities can be found on our web page: www.ipc.org.

For information on how to get involved, contact:

Jeanette Ferdman, Membership Director
tel: 847-597-2809 fax: 847-597-7105
e-mail: JeanetteFerdman@ipc.org www.ipc.org



Application for Site Membership

Thank you for your decision to join IPC members on the “Intelligent Path to Competitiveness”! IPC Membership is **site specific**, which means that IPC member benefits are available to all individuals employed at the site designated on the other side of this application.

To help IPC serve your member site in the most efficient manner possible, please tell us what your facility does by choosing the most appropriate member category. *(Check one box only.)*

Independent Printed Board Manufacturers

This facility manufactures and sells to other companies, printed wiring boards (PWBs) or other electronic interconnection products on the merchant market. What products do you make for sale?

- One-sided and two-sided rigid printed boards Multilayer printed boards Other interconnections
 Flexible printed boards

Name of Chief Executive Officer/President _____

Independent Electronic Assembly EMSI Companies

This facility assembles printed wiring boards, on a contract basis, and may offer other electronic interconnection products for sale.

Name of Chief Executive Officer/President _____

OEM–Manufacturers of any end product using PCB/PCAs or Captive Manufacturers of PCBs/PCAs

This facility purchases, uses and/or manufactures printed wiring boards or other interconnection products for use in a final product, which we manufacture and sell.

What is your company’s primary product line? _____

Industry Suppliers

This facility supplies raw materials, machinery, equipment or services used in the manufacture or assembly of electronic interconnection products.

What products do you supply? _____

Government Agencies/Academic Technical Liaisons

We are representatives of a government agency, university, college, technical institute who are directly concerned with design, research, and utilization of electronic interconnection devices. (Must be a non-profit or not-for-profit organization.)



ASSOCIATION CONNECTING
ELECTRONICS INDUSTRIES®

Application for Site Membership

Site Information:

Company Name _____

Street Address _____

City _____ State _____ Zip/Postal Code _____ Country _____

Main Switchboard Phone No. _____ Main Fax _____

Name of Primary Contact _____

Title _____ Mail Stop _____

Phone _____ Fax _____ e-mail _____

Company e-mail address _____ W _____

Please Check One:

- \$1,000.00 Annual dues for Primary Site Membership (Twelve months of IPC membership begins from the time the application and payment are received)
- \$800.00 Annual dues for Additional Facility Membership: Additional membership for a site within an organization where another site is considered to be the primary IPC member.
- \$600.00** Annual dues for an independent PCB/PWA fabricator or independent EMSI provider with annual sales of less than \$1,000,000.00. **Please provide proof of annual sales.
- \$250.00 Annual dues for Government Agency/not-for-profit organization

TMRC Membership Please send me information about membership in the Technology Market Research Council (TMRC)

Payment Information:

Enclosed is our check for \$ _____

Please bill my credit card: (circle one) MC AMEX VISA DINERS

Card No. _____ Exp date _____

Authorized Signature _____

Mail application with check or money order to:

IPC
3491 Eagle Way
Chicago, IL 60678-1349

Fax/Mail application with credit card payment to:

IPC
3000 Lakeside Drive, Suite 309 S
Bannockburn, IL 60015-1249
Tel: 847-615-7100
Fax: 847-615-7105
<http://www.ipc.org>

Please attach business card
of primary contact here



ASSOCIATION CONNECTING
ELECTRONICS INDUSTRIES®

Standard Improvement Form

IPC-SMEMA-9851

The purpose of this form is to provide the Technical Committee of IPC with input from the industry regarding usage of the subject standard.

Individuals or companies are invited to submit comments to IPC. All comments will be collected and dispersed to the appropriate committee(s).

If you can provide input, please complete this form and return to:

IPC
3000 Lakeside Drive, Suite 309S
Bannockburn, IL 60015-1249
Fax 847 615.7105
E-mail: answers@ipc.org

1. I recommend changes to the following:

- Requirement, paragraph number _____
- Test Method number _____, paragraph number _____

The referenced paragraph number has proven to be:

- Unclear
- Too Rigid
- In Error
- Other _____

2. Recommendations for correction:

3. Other suggestions for document improvement:

Submitted by:

Name _____ Telephone _____

Company _____ E-mail _____

Address _____

City/State/Zip _____ Date _____



ASSOCIATION CONNECTING
ELECTRONICS INDUSTRIES®

3000 Lakeside Drive, Suite 309S, Bannockburn, IL 60015-1249
Tel. 847.615.7100 Fax 847.615.7105
www.ipc.org